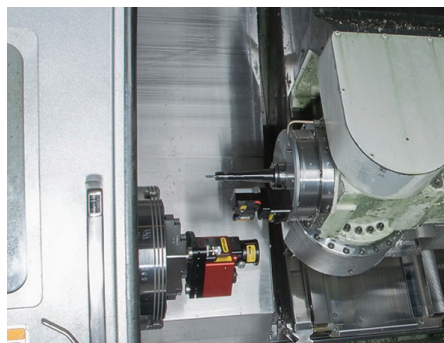


Measurement with Easy Laser



CNC Onsite offer very precise measurement performed with our Easy laser equipment. Our employees do have high experience with geometrical alignment of CNC machines as well as measurement of complex constructions. With this background, we are able to deliver measurement reports that are understandable.

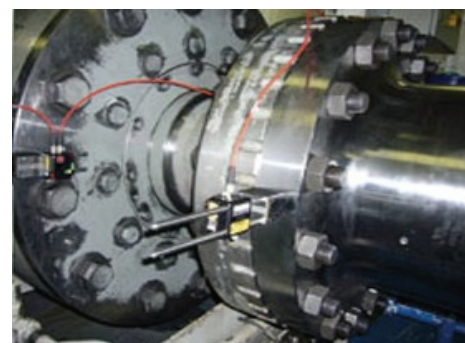
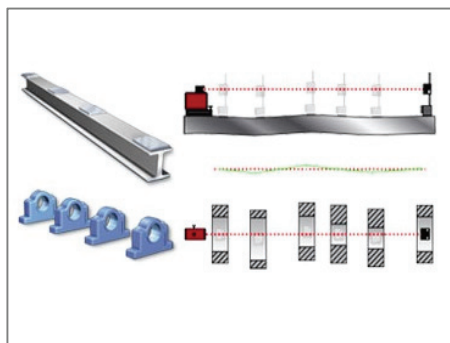
Measurement with Easy Laser

- Geometrical alignment of machines
- Shaft alignment
- Straightness
- Squareness
- Parallelism
- Bearing alignment for Stern Tube

Læs mere på www.cnconsite.dk

Industries where Easy Laser is used:

Maritime Industry
Wind Industry
Manufacturing
Offshore
Powerplants
Printing industry



*We make the
complicated simple,
Because we can.*

CNC
ON SITE

CNC Onsite ApS
Storhaven 4, 7100 Vejle
tlf. +45 70 11 02 70
www.cnconsite.dk